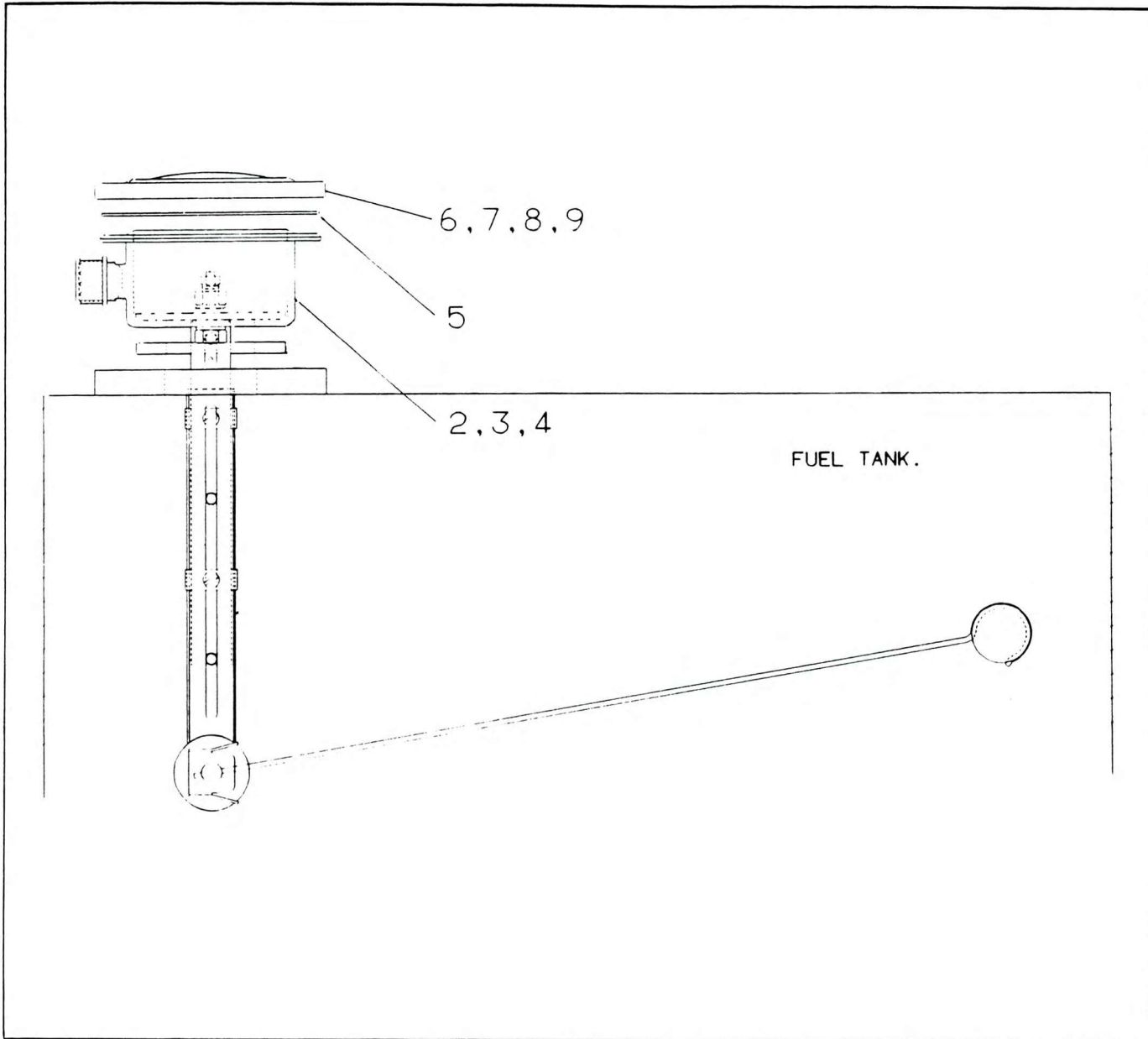


FUEL SENDER PROTECTION ASSY



| NO. | PART NO.     | QTY. | DESCRIPTION            | NO. | PART NO. | QTY. | DESCRIPTION |
|-----|--------------|------|------------------------|-----|----------|------|-------------|
| 2   | 7-176-990059 | 1    | Box Junction Fuel Tank |     |          |      |             |
| 3   | 7-794-990156 | 1    | Ring Sealing           |     |          |      |             |
| 4   | 7-794-990157 | 1    | Nut Sealing            |     |          |      |             |
| 5   | 7-794-990155 | 1    | Gasket Fuel Tank Cover |     |          |      |             |
| 6   | 7-258-990099 | 1    | Cap Fuel Tank          |     |          |      |             |
| 7   | 7-121-111001 | 3    | Screw M4 x 16          |     |          |      |             |
| 8   | 7066534      | 3    | Washer Bright M4       |     |          |      |             |
| 9   | 7069003      | 3    | Nut M4                 |     |          |      |             |

6-978-990515  
Issue No. 01